



ELECTRICAL CONTROL PANELS



UL Listed Electrical Control Panels
For Air Curtain Applications



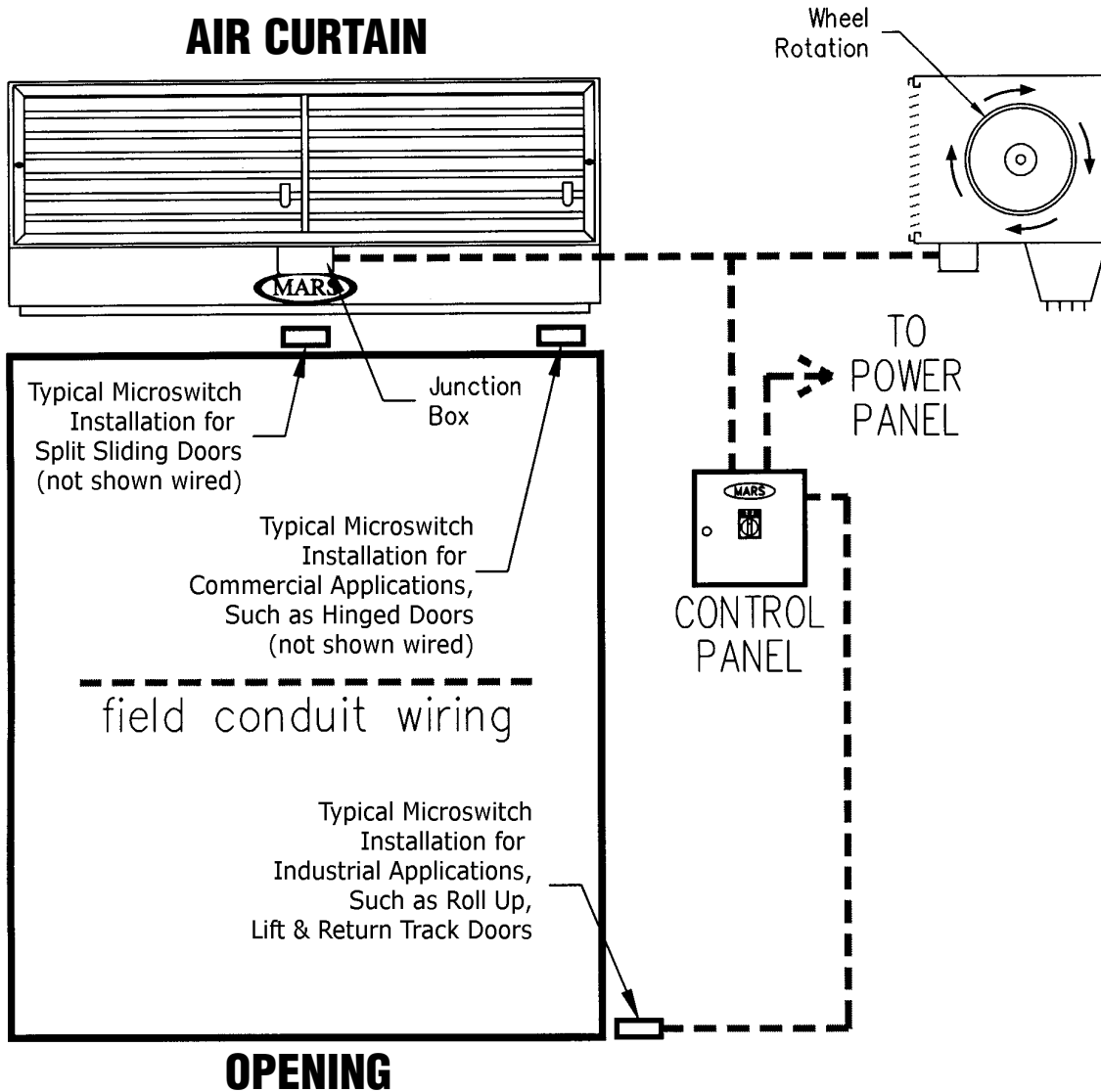
800-421-1266



AIR DOORS

ELECTRICAL CONTROL PANELS

ELECTRICAL INSTALLATION INSTRUCTIONS



TYPICAL INSTALLATION

1. Connect supply voltage from power panel to control panel.
2. Connect wires from motor leads in junction box(s) to terminals in panel per print.
3. Connect wires from micro switch to terminals in panel per print.
4. Check rotation of motors and switch leads if necessary. (3 phase only)

NOTE: 1. Circuit protection as per NEC by others. 2. Overloads are factory preset.

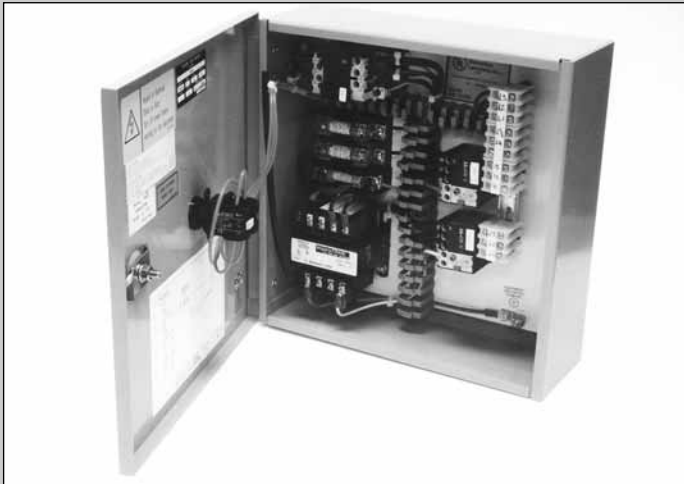
CONTROL PANEL APPLICATIONS



Typical Installation (WindGuard model shown)



Panel shown with door mounted hands-off-auto switch (standard)



Typical panel interior, shows easy serviceability



Door activator micro switch (roller style). Provides simple on/off controls as door opens/closes

Control panels are UL Listed, labeled and constructed to meet the UL 508 standard. The pre-wired panel is complete with, but not limited to; magnetic contactor, overload protection, terminal strips, control transformer, control fusing, HOA selector switch and NEMA 1, UL Listed indoor enclosure. Optional outdoor enclosure and other NEMA rated enclosures available. Specify if CSA certification required.

APPLICATION

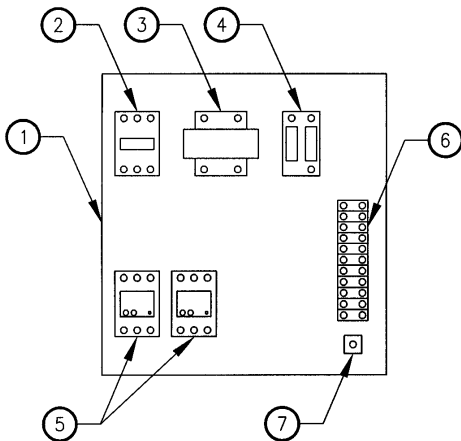
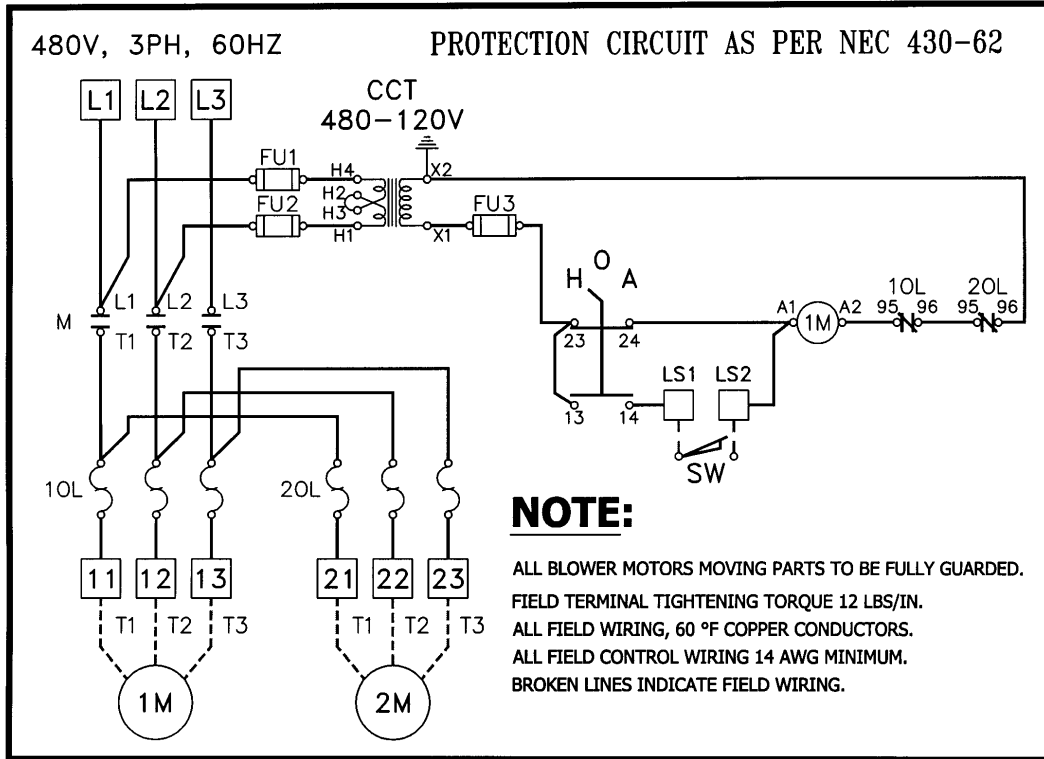
UL Listed motor control panels provide easy installation, insures long life and safe operation. A control panel is required for all three phase units and all single phase units with a combined capacity exceeding 1 HP. One control panel can be used for multiple air curtain installations. Optional features, such as door micro switches, used for automatic on/off control which turns air curtain “on” when the door is opened, and “off” when the door is closed, are easily wired to the terminal strip provided in the motor control panel.



AIR DOORS

ELECTRICAL CONTROL PANELS

TYPICAL 2 MOTOR 3 PHASE WIRING SCHEMATIC



STANDARD COMPONENTS

- | | |
|------------------------|---|
| 1. NEMA 1 Enclosure | 5. Motor Overload Relays |
| 2. Motor Contactor | 6. Terminal Strip |
| 3. Control Transformer | 7. Equipment Ground |
| 4. Transformer Fuses | 8. Hands-Off-Automatic Switch (not shown) |

HANDS-OFF-AUTOMATIC SWITCH OPERATION

HAND: Unit will operate with door open, closed or without micro switch
 OFF: Unit will not operate
 AUTO: Unit will operate when door opens and stop when door is closed.
 NOTE: For optional accessories or other NEMA rated enclosures, consult factory.



AIR DOORS

14716 S. BROADWAY • GARDENA, CA 90248
 800-421-1266 • FAX (310) 324-3030
 Phone (310) 532-1555
 Internet: www.marsair.com
 Email: marsinfo@marsair.com