

TYPICAL INSTALLATION OF METAL AIR CURTAINS FOR DRUM TYPE ROLL-UP DOORS



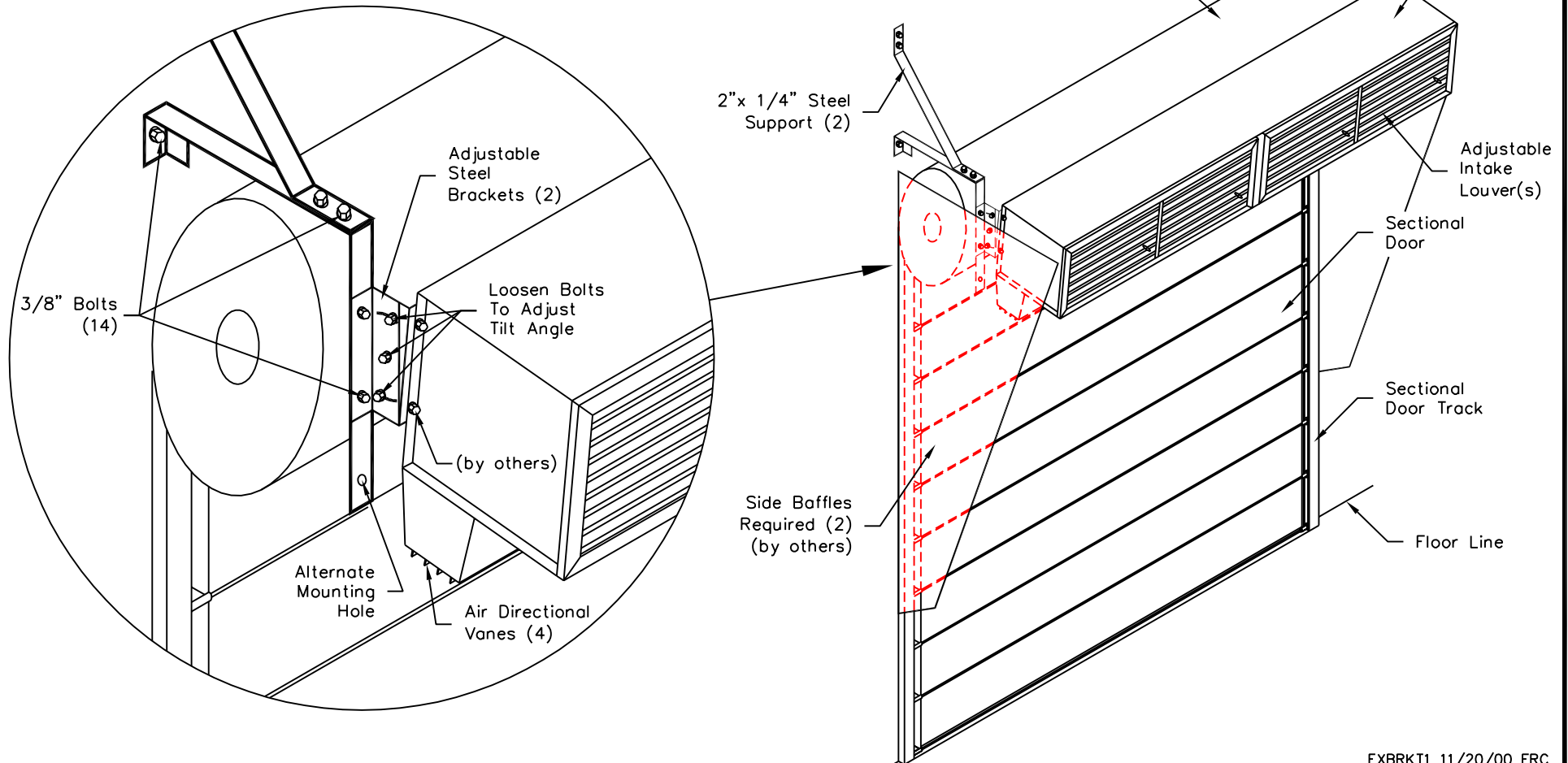
Air Doors
BRAND AIR CURTAIN

14716 S. BROADWAY, GARDENA, CA 90248 • TEL: (310) 532-1555 • FAX: (310) 324-3030

EXTENDED WALL MOUNTING BRACKET

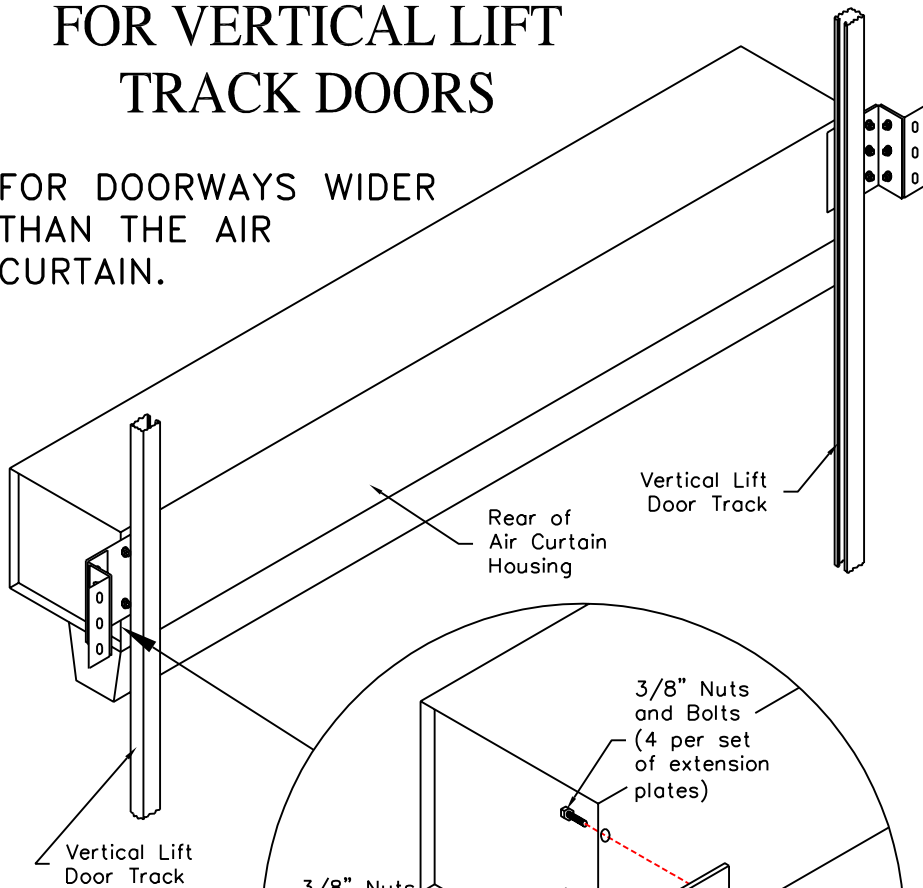
Each set includes (2) steel supports, (2) steel extended wall mounting brackets and a packet with (2) sets of 2½" adjustable steel brackets. Nuts and bolts included. (Mounting hardware for the air curtain supplied by others)

Clearance Sizes Available: 10", 16", 19" or 23" from wall.
(Please specify clearance when ordering.)



TYPICAL INSTALLATION FOR VERTICAL LIFT TRACK DOORS

FOR DOORWAYS WIDER
THAN THE AIR
CURTAIN.



NOTE:

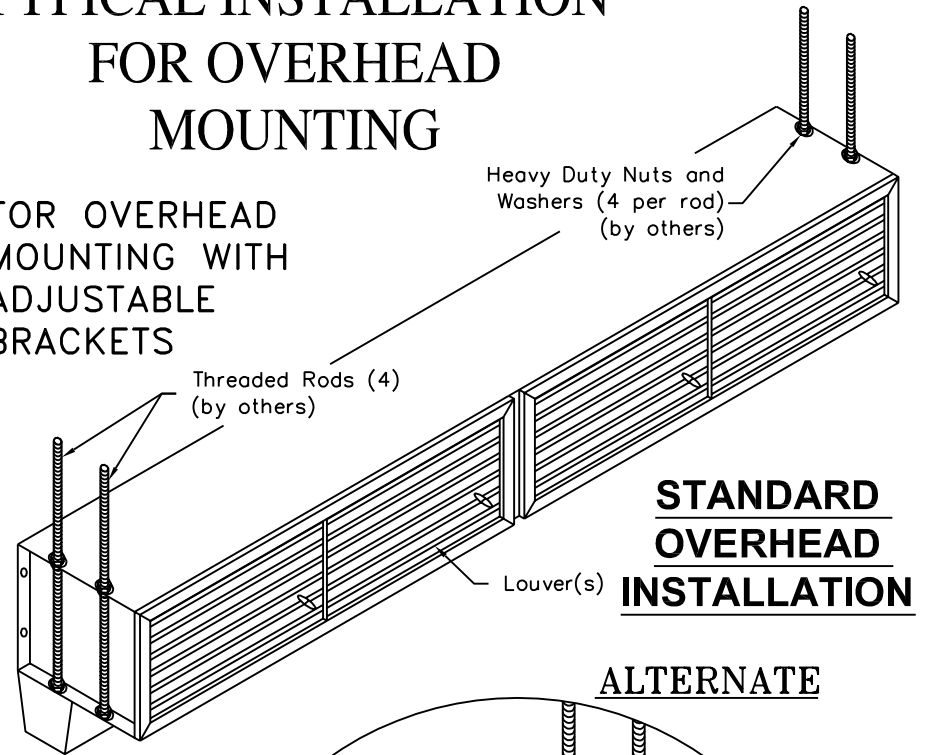
Extension plates and adjustable brackets are each sold separately and are field installed. Mounting hardware for the units are supplied by others.

SIZES AVAILABLE:

3/16" Steel Extension Plates - 5", 7" or 9" Extension.
Adjustable Steel Brackets - 2½", 4", 7" or 10" Deep.

TYPICAL INSTALLATION FOR OVERHEAD MOUNTING

FOR OVERHEAD
MOUNTING WITH
ADJUSTABLE
BRACKETS



NOTE:

Factory must be notified when unit is to be mounted from overhead. Holes for overhead mounting are not standard.