

MAINTENANCE INSTRUCTION

WARNING: TO REDUCE THE RISK OF FIRE, ELECTRIC SHOCK OR INJURY TO PERSONS, OBSERVE THE FOLLOWING:

- A. Use this unit only in the manner intended by the manufacturer. If you have questions, contact the manufacturer.
- B. Before servicing or cleaning the unit, switch power off at service panel and lock service panel to prevent power from being switched "ON" accidentally.
- C. To reduce the risk of electric shock, DO NOT use this fan with any solid state speed control device.

PRELIMINARY

It is imperative to keep the fans clean. Failure to do so may cause excess buildup of residue. This will lower efficiency and eventually throw fans out of balance, which can shorten the life of the blower wheels and cause undue wear on the bearings. The time between cleaning depends upon the type and amount of particles floating

in the air. Under normal circumstances, the system will only require cleaning approximately once a year.

Clean motors and fans when necessary for peak operational efficiency. Motor-fan assembly may be easily cleaned by removing it from the housing. Remove the Motor/Fan Assembly from the housing by disconnecting all electrical connections from the motor to the panel, then removing the two wing nuts on either side of the pan. Be careful not to touch the blower wheels and the heating elements.

Occasionally remove the velocity control louvers and wash with soap and water. At the same time, it is advisable to wipe any accumulation of dirt off the motor.

No lubrication is necessary as all motors have lifetime prelubricated, double sealed ball bearings. Motor contains automatic thermal overload protection as standard.

ALL PARTS ARE FOB OUR FACTORY - GARDENA, CA
1 or 3 in part numbers below designates motor horse power in air curtain. When ordering parts, include the serial and model number from the name plate of the unit. When ordering blower wheels, specify whether steel or stainless steel.

MOTOR CHARACTERISTICS AVAILABLE (Three Phase Only)
1 HP.....1750 RPM 3 HP.....3400 RPM

MOTOR/FAN ASSEMBLY

Complete assembly consists of a motor, blower wheel, blower housing and motor pan. Available in three phase only.

MOTOR PAN

MP-30-1 · MP-30-3

VELOCITY CONTROL LOUVERS · AIR CURTAIN HOUSING · DIRECTIONAL VANES

Specify model number when ordering

BLOWER HOUSING

Universal housings are good for either side of the motor. All sizes available in Polymars® or metal.

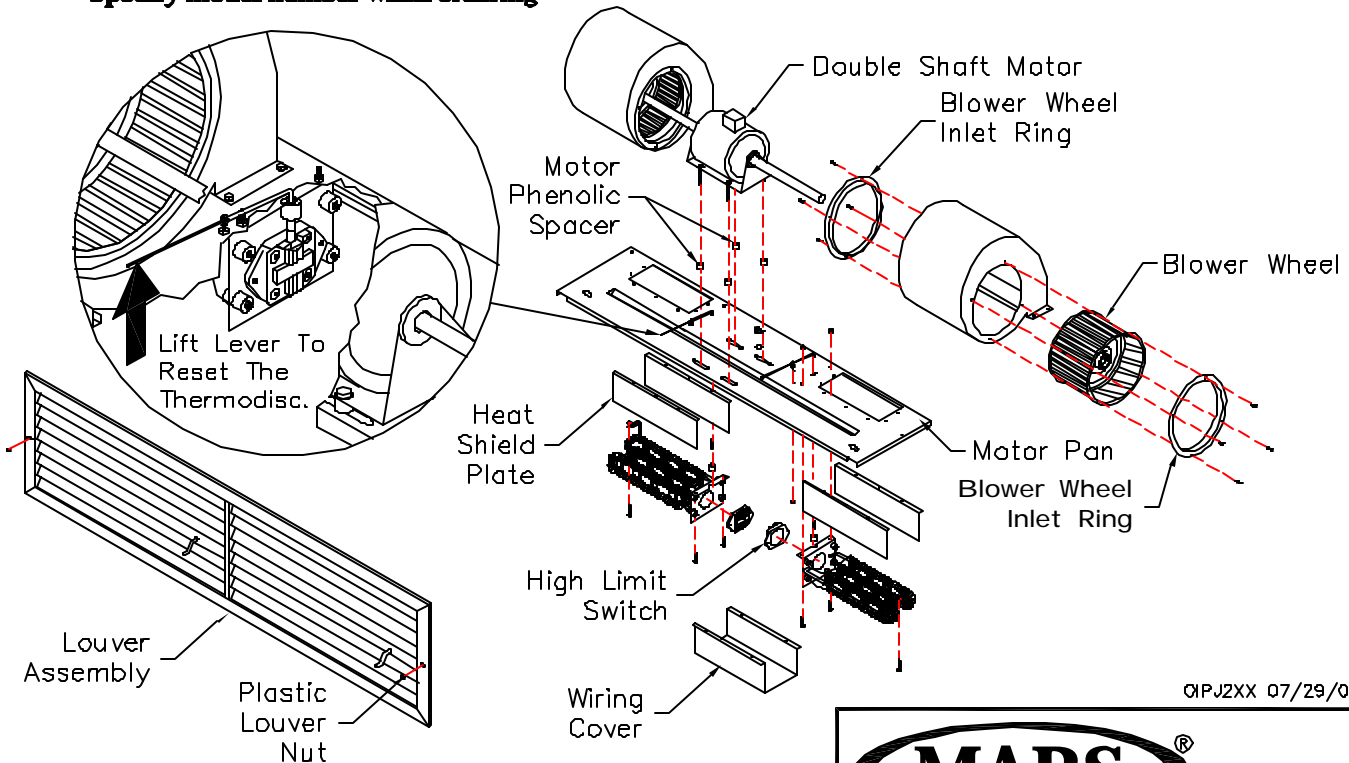
BLOWER WHEEL

MOTOR HP	METAL BLOWER WHEEL
1	UNIVERSAL
3	UNIVERSAL (STAINLESS ONLY)

NOTE: Universal indicates the wheel may be used on either side of the motor. Direction of wheel rotation is not required.

ELECTRIC HEATER PARTS

Electric Heating Coil Assembly, Thermal Overload Relay, T'stat, Contactor (2 or 3 Pole, 40 or 50 Amps), Relay (2 or 3 Pole), Fuse Blocks, Fuses, Transformer, On/Off Switch, Indicator Light, Wiring Cover, Heat Shield Plate.



QIPJ2XX 07/29/02 WCD



Air Doors
BRAND AIR CURTAIN

14716 S. BROADWAY • GARDENA, CA 90248
Tel: (310) 532-1555 • (800) 421-1266 • Fax: (310) 324-3030
Web Site: www.marsair.com • E-mail: marsserve@marsair.com