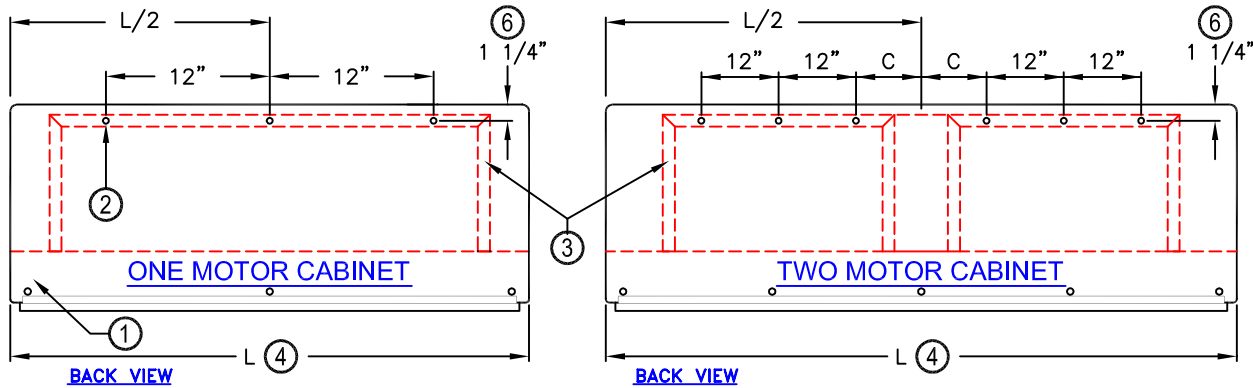
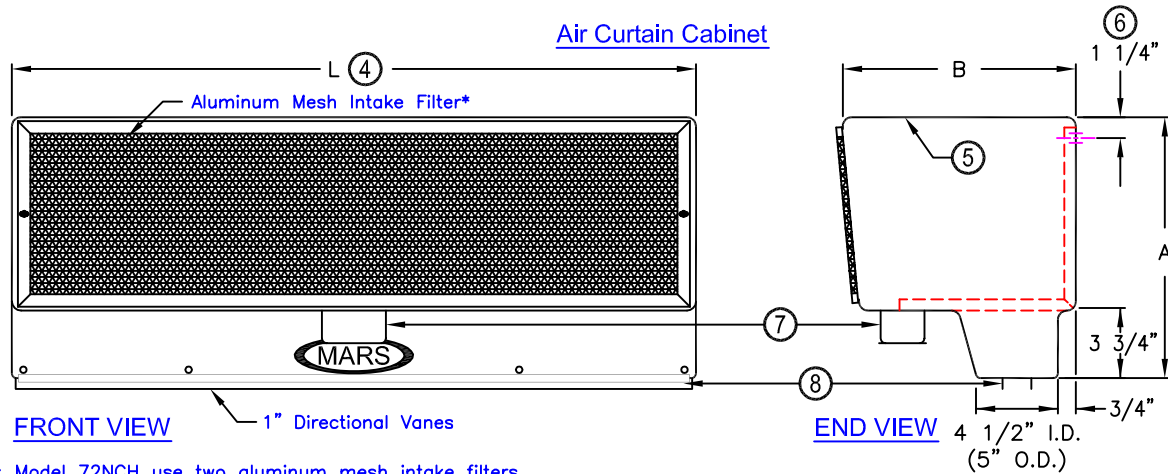


Air Curtain Mounting Bracket

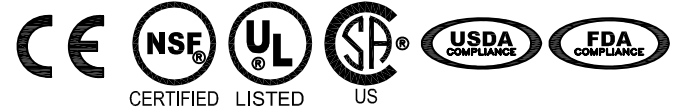


Air Curtain Cabinet



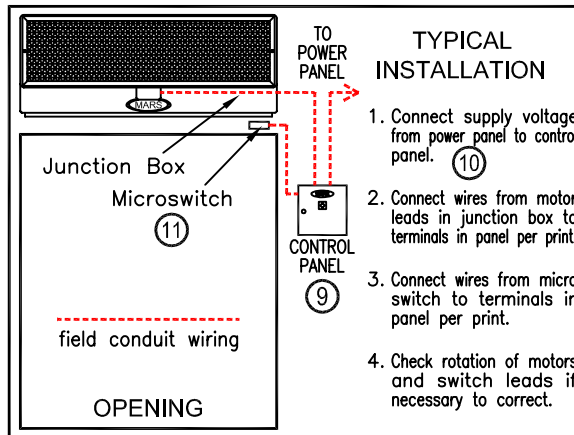
NOTES:

- ① This product is designed to comply with the National Electric Code (NEC) and is U.L. Listed, CSA and NSF Certified.
- ② 7/16" mounting holes. (3) provided on one motor models, (6) provided on two motor models.
- ③ Cabinets contain an internal steel bracket with sufficient strength to provide cabinet rigidity and fastening to wall.
- ④ Model number indicates length of unit in inches, which is denoted as "L". Actual length may vary up to 1 1/4" over model number.
- ⑤ All units have a self contained one piece molded white high density polyethylene cabinet. Cabinets feature a self-extinguishing characteristic and are resistant to high humidity, chemical and climate exposures.
- ⑥ Wall mounting hole location. Model number NHV42 and NHV48 is 3 3/4".
- ⑦ One watertight junction box per motor mounted on bottom center of each motor/fan assembly. Specify for alternate locations.
- ⑧ Units is to be installed such that air flow is unobstructed. Air discharge nozzle containing adjustable air directional vanes with 40° sweep front to back.
- ⑨ Optional motor control panel. Overloads are factory preset. Panels are to be shipped loose for remote mount.
- ⑩ Circuit protection as per N.E.C. by others.
- ⑪ Optional microswitch is field installed and is to be wired to the control panel. Switch to be mounted such that air curtain turns on as door begins to open.



*NOTE: Model 72NCH use two aluminum mesh intake filters.

MODEL NUMBER ④	NUMBER OF MOTORS	HEIGHT A	DEPTH B
36NCH	1	14 3/4"	12 3/4"
38NCH	1	14 3/4"	12 3/4"
42NCH	1	14 3/4"	12 3/4"
48NCH	1	14 3/4"	12 3/4"
72-2NCH	2	14 3/4"	12 3/4"
NHV42	1	18"	15"
NHV48	1	18"	15"



PROJECT	MODEL NO.
LOCATION	DRAWING NO.
ARCHITECT	DATE
ENGINEER	SHEET OF
	DRAWN BY
	CHECKED BY
	PROJECT NO.



Air Doors
BRAND AIR CURTAIN

14716 S. BROADWAY • GARDENA, CA 90248
Phone: 310-532-1555 • 800-421-1266 • Fax: 310-324-3030
WEB SITE: www.marsair.com • E-MAIL: marsinfo@marsair.com

MARK	NSF MODEL NUMBER	NO. REQ'D	LENGTH	WEIGHT (LBS)	HP 1750 RPM	VOLTS & PHASE	MOTOR FAN DATA				Max FPM at Nozzle	Max CFM at Nozzle	dBA Measured 10 ft. from Nozzle	REMARKS
							FLA (AMPACITY) SINGLE PHASE		FLA (AMPACITY) THREE PHASE					
							115V	208V 240V	208V 240V	460V				
	36NCH		3'	50	1/2		5.1 (6.4)	2.5 (3.2)	1.8 (2.3)	0.8 (1.0)	3400	2550	63	
	38NCH		3' 2"	52	1/2		5.1 (6.4)	2.5 (3.2)	1.8 (2.3)	0.8 (1.0)	3225	2550	63	
	42NCH		3' 6"	55	1/2		5.1 (6.4)	2.5 (3.2)	1.8 (2.3)	0.8 (1.0)	2925	2550	63	
	48NCH		4'	60	1/2		5.1 (6.4)	2.5 (3.2)	1.8 (2.3)	0.8 (1.0)	2550	2550	63	
	72-2NCH		6'	105	Two 1/2		10.2 (12.8)	5.1 (6.4)	3.6 (4.2)	1.6 (2.0)	3400	5100	65	
	NHV42		3' 6"	80	1		9.5 (11.9)	7.1 (8.9)	3.5 (4.4)	1.6 (2.0)	4600	4000	69	
	NHV48		4'	85	1		9.5 (11.9)	7.1 (8.9)	3.5 (4.4)	1.6 (2.0)	4000	4000	69	

EQUIPMENT SPECIFICATIONS – Standard Features

GENERAL

Air curtain shall be a Mars® Air Doors brand air curtain: Type NSF Certified Commercial High Velocity Unheated.

APPROVALS

Air curtain shall be Underwriters Laboratories Listed (specify if for outdoor), Canadian Standard Association Certified, National Sanitation Foundation Certified and meet the requirements of the National Electric Code.

CABINET

Cabinet shall be a self contained one piece molded white polyethylene material. Cabinets shall be resistant to high humidity and all chemical and climatic exposures. Cabinets to contain an internal steel bracket with sufficient strength to provide cabinet rigidity and fastening to the wall. Cabinet to have washable aluminum mesh air intake filter. Discharge nozzle shall be wedge shaped containing adjustable air directional vanes with a 40° sweep front to back. Motor/fan assembly to be easily accessible for maintenance.

MOTORS AND BLOWER WHEELS

Motor(s) shall be totally enclosed air over (TEAO) type suitable for continuous heavy duty, all angle operation. Construction shall include sealed lifetime pre-lubricated ball bearings, resilient mounted and protected by an automatic reset thermal overload switch. Motor(s) to have quick disconnect plugs for fast easy removal of motor/fan assembly for inspection and cleaning, except for 1 HP Super Combi models. Motor(s) to have double extended shaft and direct drive, double inlet, dynamically balanced forward curved squirrel cage blower wheels.

ELECTRICAL WIRING

Each motor to have a watertight junction box mounted on bottom center of each motor/fan assembly. Specify for alternate locations.

GUARANTEE

Shall be five years on all parts.

NOTE: NSF Certified models shall produce 600 FPM velocity measured 3' off the floor on all customer entrance doors (NCH suffix models) and 1600 FPM velocity measured 3' off the floor on all receiving doors (NHV prefix models).

An equipment specification can be prepared by combining the standard features with the checked boxes below indicating the selection of the optional features.

OPTIONAL FEATURES

When checked below, the air curtain will be supplied with the following special features.

- Explosion proof motors
- Door microswitch(s) (20 amp) for automatic on/off control. Turns air curtain on when door is opened and off when door is closed. Field installed.

Note: All 3 Phase Motors or Single Phase Combined Motors greater than 1 Hp or over 250Vac or greater than 20 Amps require a motor control panel whenever a door microswitch is used to start and stop the air curtain. A door microswitch may be used to directly control one 1 HP or one or two 1/2 HP, single phase motors without the need for a motor control panel. (As long as it does not exceed 20 AMPS or 250 VAC)

- Magnetic Reed Switch(s) (.25 amp 24V) for automatic on/off control. Turns air curtain on when door is opened and off when door is closed. Field installed.

Note: All 3 Phase Motors & Single phase motors greater than 1 Hp require a motor control panel whenever a Reed Switch is used to start/stop the air curtain. A Reed Switch can directly control (1) 1 HP or (2) 1/2 HP Single phase Motors without the need of a control panel BUT requires a controller, field wired in the junction box.

- Wall mounted control panel
- Factory mounted control panel on air curtain

Indicate the total number of motors to be powered through panel

- 1
- 2
- 3
- 4

MADE WITH PRIDE IN THE U.S.A.