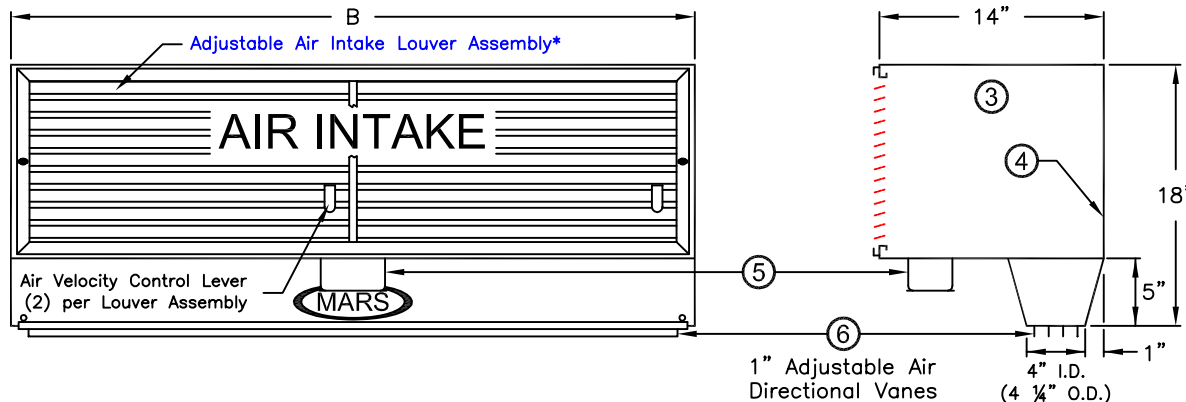


**REAR VIEW**



**FRONT VIEW**

**END VIEW**

**NOTES:**

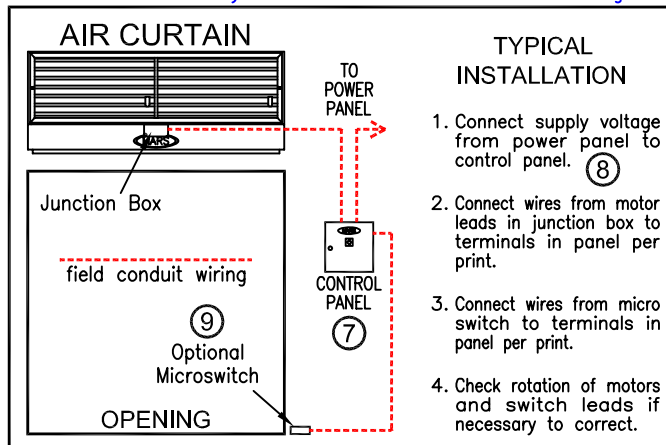
- ① This product is designed to comply with the National Electric Code (NEC) and is U.L. Listed.
- ② 7/16" mounting holes (4) provided, (2) on each end.
- ③ All units have a self contained one piece cabinet, fire retardant and corrosion proof paint lock metal, double protected with baked on gray color rust preventative electrostatic polyurethane powder coating.
- ④ Cabinet has sufficient strength for fastening to wall on both ends without intermediate support.
- ⑤ One watertight electrical junction box per motor mounted on bottom center of each motor/fan assembly. Specify for alternate locations.
- ⑥ Unit is to be installed such that air flow is unobstructed. Air discharge nozzle containing adjustable air directional vanes with 40° sweep front to back.
- ⑦ Optional motor control panel. Overloads are factory set. Standard procedure is to ship panel loose for remote mount. Can be factory mounted on either left or right hand side of air curtain housing. Please specify.
- ⑧ Circuit protection as per NEC by others.
- ⑨ Optional microswitch is field installed and is to be wired to the control panel. Switch to be mounted such that the air curtain turns on as door begins to open.



-2 & -3 designates the number of motors.

\*NOTE: Louver assembly size and number varies with unit length.

MODEL NUMBER	MOUNTING CENTERS A	OVERALL LENGTH B
EP48	47 1/8"	48"
EP60	59 1/8"	60"
EP72-2	71 1/8"	72"
EP84-2	83 1/8"	84"
EP96-2	95 1/8"	96"
EP108-2	107 1/8"	108"
EP108-3	107 1/8"	108"
EP120-2	119 1/8"	120"
EP120-3	119 1/8"	120"
EP144-3	143 1/8"	144"



PROJECT	MODEL NO.
LOCATION	DRAWING NO.
ARCHITECT	DATE
ENGINEER	SHEET OF
	DRAWN BY
	CHECKED BY
	PROJECT NO.



*Air Doors*  
BRAND AIR CURTAIN

14716 S. BROADWAY • GARDENA, CA 90248  
Phone: 310-532-1555 • 800-421-1266 • Fax: 310-324-3030  
WEB SITE: www.marsair.com • E-MAIL: marsinfo@marsair.com

**3 HP EXTRA POWER UNHEATED MODELS**

**JOB:** \_\_\_\_\_

**ARCHITECT/ENGINEER:** \_\_\_\_\_  
**CONTRACTOR:** \_\_\_\_\_

**DRWG.:** \_\_\_\_\_  
**SHEET** \_\_\_\_ **of** \_\_\_\_ **DATE:** \_\_\_\_\_

MARK	EXTRA POWER MODEL NUMBER	NO. REQ'D	LENGTH	WEIGHT (LBS)	MOTOR FAN DATA								REMARKS	
					MOTOR HP	MOTOR RPM	VOLTS & PHASE	FLA (AMPACITY) THREE PHASE*			Max FPM at Nozzle	Max CFM at Nozzle		dBA Measured 10 ft. from Nozzle
								208V 240V	460V	575V				
	EP48		4'	120	3	3450		8.3 (10.4)	3.8 (4.8)	3.0 (3.8)	4800	4800	76	
	EP60		5'	140	3	3450		8.3 (10.4)	3.8 (4.8)	3.0 (3.8)	3840	4800	76	
	EP72-2		6'	200	Two 3	3450		16.6 (20.8)	7.6 (9.6)	6.0 (7.6)	6100	9600	79	
	EP84-2		7'	210	Two 3	3450		16.6 (20.8)	7.6 (9.6)	6.0 (7.6)	5485	9600	79	
	EP96-2		8'	225	Two 3	3450		16.6 (20.8)	7.6 (9.6)	6.0 (7.6)	4800	9600	79	
	EP108-2		9'	275	Two 3	3450		16.6 (20.8)	7.6 (9.6)	6.0 (7.6)	4200	9600	79	
	EP108-3		9'	300	Three 3	3450		24.9 (31.2)	11.4 (14.3)	9.0 (11.4)	4800	12,800	81	
	EP120-2		10'	310	Two 3	3450		16.6 (20.8)	7.6 (9.6)	6.0 (7.6)	3840	9600	79	
	EP120-3		10'	300	Three 3	3450		24.9 (31.2)	11.4 (14.3)	9.0 (11.4)	5760	14,400	81	
	EP144-3		12'	310	Three 3	3450		24.9 (31.2)	11.4 (14.3)	9.0 (11.4)	4800	14,400	81	

**EQUIPMENT SPECIFICATIONS** – Standard Features

**GENERAL**

Air curtain shall be a Mars® Air Doors brand air curtain: Type Extra Power Unheated.

**APPROVALS**

Air curtain shall be Underwriters Laboratories Listed and meet the requirements of the National Electric Code.

**CABINET**

Cabinet shall be a self contained one piece housing with sufficient strength for fastening to wall on both ends without intermediate support. Cabinet constructed of fire retardant, corrosion proof paint lock metal and double protected with gray baked rust preventative electrostatic polyurethane powder coating. Cabinet to have mechanically field adjustable variable intake louver assembly capable of reducing outlet air velocity up to 60% with louver in totally closed position. Discharge air outlet nozzle shall be wedge shaped containing adjustable air directional vanes with 40° sweep front to back. Motor/Fan assembly to be easily accessible for maintenance.

**MOTORS AND BLOWER WHEELS**

Motor(s) shall be totally enclosed air over (TEAO) type suitable for continuous heavy duty, all angle operation. Construction shall include sealed lifetime pre-lubricated ball bearings, resilient mounted and protected by an automatic reset thermal overload switch. Motor(s) to have double extended shaft and direct drive, double inlet, dynamically balanced forward curved squirrel cage blower wheels.

**ELECTRICAL WIRING**

Each motor to have a watertight junction box to be mounted on bottom center of each motor/fan assembly. Specify for alternate locations.

**GUARANTEE**

Shall be five years on all parts.

**MADE WITH PRIDE IN THE USA.**

\* Single Phase Motors Available. 1Ø, 115V (30A) & 208/230 (16.6A) per motor. Multiply the 1Ø Amps by the number of motors per unit for the FLA. (FLA x 1.25=Ampacity)

*An equipment specification can be prepared by combining the standard features with the checked boxes below indicating the selection of the optional features.*

**OPTIONAL FEATURES**

When checked below, the air curtain will be supplied with the following special features.

- Explosion proof motors
- Door microswitch(s) (20 amp) for automatic on/off control. Turns air curtain on when door is opened and off when door is closed. Field installed.
  - Plunger type       Roller type

**NOTE:** All EP Models require a Control Panel whenever a Microswitch is used to Start/Stop The Air Curtain.

- Wall mounted control panel       Factory mounted control panel on air curtain
- Indicate the total number of motors to be powered through panel
  - 1     2     3     4     5     6
- Plates for side extension of mounting points
  - 5 inch extension     7 inch extension     9 inch extension
- Adjustable mounting brackets to clear any wall obstruction of air flow
  - 2 ½ inch clearance     4 inch clearance     7 inch clearance     10 inch clearance
- Extended Wall Mounting Brackets for drum type roll-up doors
  - 10 inch clearance     16 inch clearance     19 inch clearance     23 inch clearance
- All stainless steel housing       In lieu of adjustable inlet air louver
- Washable aluminum air filter     In conjunction with adjustable inlet air louver

**3 HP EXTRA POWER UNHEATED MODELS**