

WHISPURR AIR® AIR CURTAIN

UNHEATED WA SERIES - WA36, WA42, WA48, WA60, WA72

INSTALLATION AND REPLACEMENT PARTS SHEET

MOUNTING BRACKET LENGTH

Published WA Length + 3 1/2"

MOUNTING HOLE CENTERS

Published WA Length + 1 3/4"

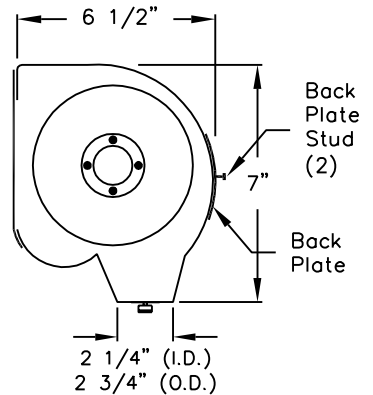
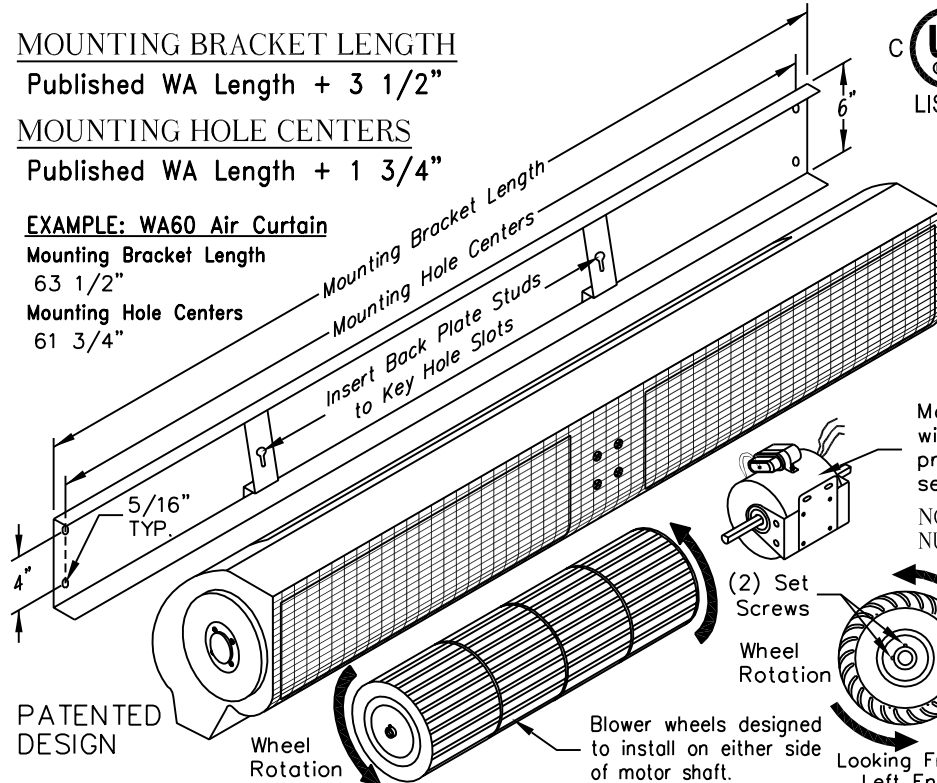
EXAMPLE: WA60 Air Curtain

Mounting Bracket Length

63 1/2"

Mounting Hole Centers

61 3/4"



Motor is double shaft, resilient mounted with automatic thermal overload protection and lifetime pre-lubricated double sealed ball bearings.

NOTE: WHEN ORDERING PARTS, INCLUDE SERIAL NUMBER AND MODEL NUMBER FROM NAME PLATE.

AVAILABLE REPLACEMENT PARTS

- PolyMars® Cabinet
- Cross Flow Blower Wheel
- Air Inlet Grill
- Air Directional Vane
- End Ball Bearing with Bearing Shield
- Speed Control Switch
- Micro Switch
- Motor - 115Vac or 208/230Vac

READ AND SAVE THESE INSTRUCTIONS TO INSTALL AIR CURTAIN

1. Center air curtain mounting bracket on solid wall over doorway.
2. Spot holes through 5/16" mounting holes in bracket. If necessary, drill additional holes in bracket to match wall stud or any other mounting bars spacing supplied in the field.
3. Securely fasten mounting bracket with the proper fastener and set air curtain in key hole slots provided.
4. Adjust air directional vanes approximately 15° towards the wind load. Connect proper voltage and phase.

ADJUSTMENTS FOR DUST, DIRT, ODOR AND FUMES.

Set air velocity control knob to high for maximum velocity.

NOTE: Whispurr Air® air curtains are not recommended for heavy insect control.

WARNING - TO REDUCE THE RISK OF FIRE, ELECTRIC SHOCK OR INJURY TO PERSONS, OBSERVE THE FOLLOWING:

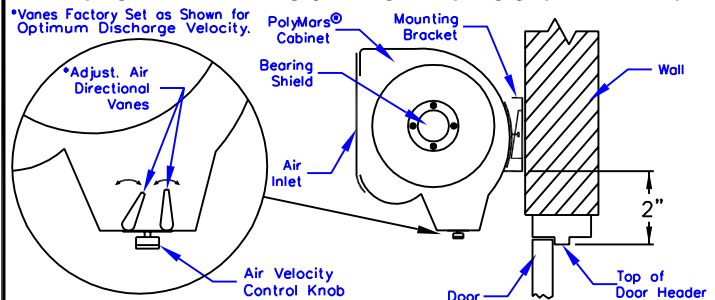
Use this unit only in the manner intended by the manufacturer. If you have any questions, contact the manufacturer. Before servicing or cleaning unit, switch power off at service panel and lock service panel to prevent power from being switched on accidentally. Servicing an energized air curtain presents a risk of fire, electric shock or injury to persons. **DO NOT** attempt any maintenance unless the electric supply has been completely disconnected. Installation work and all electrical wiring must be done by qualified person(s) in accordance with all applicable codes and standards. When cutting or drilling into wall or ceiling, do not damage electrical wiring and other hidden utilities.

ROUTINE MAINTENANCE

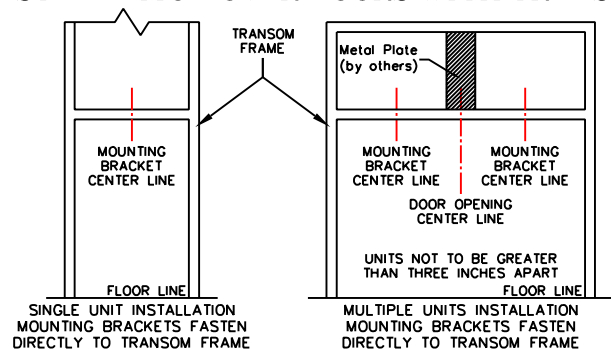
It is imperative to keep the fans clean, as they eventually become coated with residue. Dirty fans will lower the efficiency and eventually throw fans out of balance which can shorten the life of the blower wheels and cause undue wear on the bearings. The time between cleanings depend upon the type and amount of particles floating in the air. Under normal circumstances, the system will require cleaning only about once a year.

TO KEEP THE WHISPURR AIR® AIR CURTAIN LOOKING NEW, REMOVE SCREWS FROM AIR INTAKE OPENING AND REMOVE AIR INTAKE GRILL. CLEAN ACCUMULATION OF DIRT FROM MOTOR HOUSING, BLOWER WHEELS AND INTAKE GRILL THEN REINSTALL GRILL.

DIRECT WALL MOUNT OVER DOOR HEADER



INSTALLATION OVER DOORS WITH TRANSOMS



Air Doors
BRAND AIR CURTAIN

14716 S. BROADWAY • GARDENA, CA 90248
Tel: (310) 532-1555 • (800) 421-1266 • Fax: (310) 324-3030
Web Site: www.marsair.com • E-mail: marsserve@marsair.com